

# ModuSec®

Secure and efficient IT room solutions

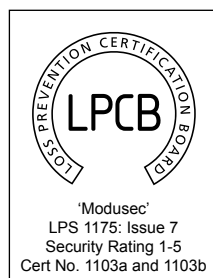
Turnkey Modular Construction  
Fast clean build to any size or shape

Room in room • Standalone external build • Transportable



## Modusec SR Options

- SR1
- SR2
- SR3
- SR4
- SR5



Approved by LPCB  
for the protection of  
commercial assets.

## Modusec SR Options SRB & SRE

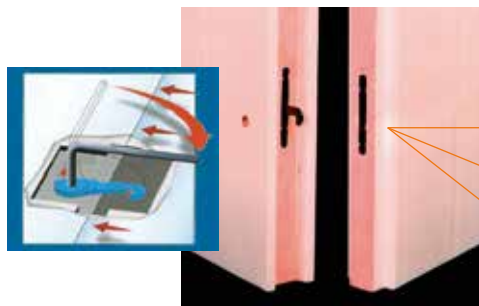


Approved for UK Government Use.  
For details contact CPNI.

Fire and water protection levels for hardware and media  
High security options against intrusion, forced attack and blast  
Data Centres • Control Rooms • Storage • Production • Armouries

# Secure and efficient IT room solutions

ModuSec



- Steel faced pre-finished wall and ceiling panels with a high performance thermal barrier core (Pyrofoam) lock together from inside to form a protective enclosure that is quick and clean to build to any size.
- Walls support ceilings with no other structure and ceilings span up to 6m (4m for high security options) without intermediate support.

## Modusec SR – High Security & Blast Protection Options

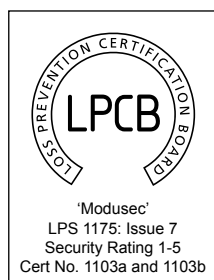
The foamed core panels are individually manufactured to the required size and allow the inclusion of a range of materials within the panels designed to defeat cutting and forced entry. These materials along with strengthened joints and doors enabled the ModuSec System to gain an unparalleled range of tested and certified protection levels to meet commercial and UK Government forced attack standards.

ModuSec has been utilized over many years to build data centres and other high security environments – giving us enormous experience in this field. We are always happy to advise on all aspects of the build – including securing service entry points, doors, locks, etc.

Depending on the options chosen (you can integrate different standards on different walls, aspects or areas) these are some of the standards available:

### Modusec SR Options

- SR1
- SR2
- SR3
- SR4
- SR5



Approved by LPCB  
for the protection of  
commercial assets.

### Modusec SR Options SRB & SRE

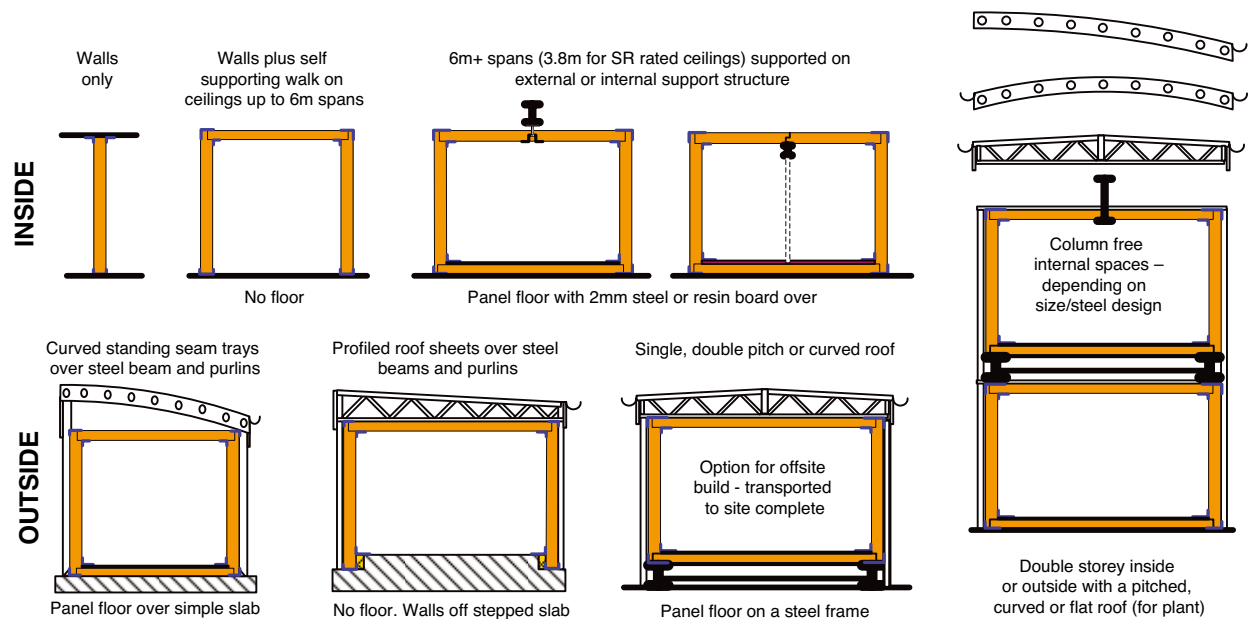


Approved for UK Government Use.  
For details contact CPNI.

Let us advise you on protecting your critical assets and information

# Secure and efficient IT room solutions

## Modusec Construction Options



## Turnkey Solutions

- Design
- Manufacture
- Delivery
- Installation
- Walls
- Ceiling
- Doors
- Structural steelwork
- Room in room
- Standalone building
- Rooftop pod
- Transportable pod



RCS (Manufacturing) Ltd

### Single point of responsibility for all aspects and functions

Quality control of admin, manufacture, delivery and installation guaranteed under ISO 9001:2008

### In house installation ensures security standards are met

Delivering 30 years of experience and expertise working with end users, architects and M & E contractors – providing modular walls, rooms, stand alone buildings and transportable pods for server rooms, data centres and high security environments throughout the UK, Mainland Europe, Russia, Scandinavia and South America.



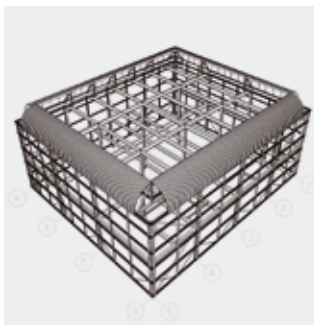
# Secure and efficient IT room solutions

## Doors, Steels & Grilles



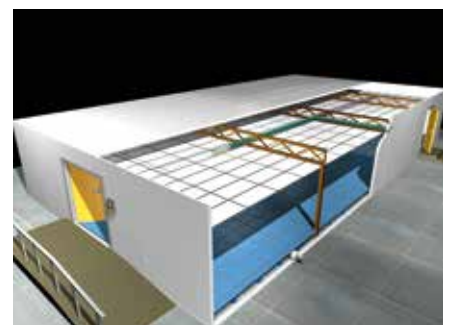
- ◀ Single or double doors
- ◀ Double rebated with water/smoke seals all round
- ◀ Adjustable hinges with security hinge bolts
- ◀ Standard or higher security options with a range of locks and functionality
- ◀ Sliding or roller shutter doors also available

- ▶ Security bars for large service openings
- ▶ Provision of support for high level services



- ◀ Design, fabrication and installation of structural support steelwork. Wide clear spans for internal build. Single or double storey external build. Options for mounting plant on roof

- ▶ Spans up to 6m require no steel support
- ▶ Large data centres can be built to any size or shape



## ModuPort – Secure Modular Portable Building

- ◀ Any size - built on site or offsite and craned into position
- ◀ Shell building or ready fitted out as a secure server room, store, office, etc
- ◀ Standard or ModuSec SR LPS 1175/UK Government security and blast ratings

# Secure and efficient IT room solutions

- ▶ Internal build with ceilings supported off existing steels



- ◀ External build with single pitch profile sheet roof
- ◀ ModuSec wall panels available in a range of colours
- ◀ No further weather proofing required

- ▶ High security build with curved roof and architectural cladding panels to match existing



- ◀ Double storey build
- ◀ 500m<sup>2</sup> footprint
- ◀ ModuSec panels inside structural steel frame
- ◀ Outer architectural cladding panels conceal steelwork
- ◀ Flat roof for AC plant

# Why Use ModuSec?

## Rapid Assembly

Pre finished steel faced panels fix together via a mechanical camlock system to quickly construct a room of any size. No 'wet trades' (plaster, painting, etc) required. Wall panels support ceiling panels with no additional structural steel. No intermediate structural support for spans up to 6m. For larger spans we install new steels – or fix to existing structure. Installs within 50mm of existing walls. Leave existing services above in place. Easily extend or relocate. Maintenance free.

## Fire Protection

Independently tested at the UK Building Research Establishment to temperatures of over 950°C. Certified to F90 standard (BS476 Pt22) BUT also meets European standard for computer room construction EN1047-2 recommended limit temperatures for a minimum of 60 minutes. Note that a block, plasterboard or other panel construction may also meet an F90 or even F120 standard that requires 180°C limit temperature for escape routes – but critical temperatures for media/hardware storage (55/65°C) may be very quickly exceeded. ModuSec also meets IMO A60, smoke & toxicity standards for marine use.

## Water Protection

Panels are steel skinned with 'tongue & groove' joints mechanically fixed and sealed with silicon mastic. The core material is almost 100% closed cell. Hence if any water penetrates a joint it will have no effect on the fire or structural integrity of the panel (unlike plasterboard or some other materials – IT WILL NOT SAG). Ceiling joints can be further protected and for external builds a roof over with gutters/downpipes is provided. Doors, vent and over pressure flaps are all double rebated with smoke/water seals. Service entry points are also sealed against water ingress.

## Energy Efficiency

100mm ceiling and wall panels have a U value (rate of heat transfer) of just 0.18 – less than half an equivalent mineral wool panel or stud partition wall with mineral wool infill. This will effectively eliminate solar gain, save energy and provide a stable environment for cooling systems – significantly reducing PUE.

## Strength

The standard panels weigh just 20Kg/m<sup>2</sup> but are incredibly strong and require no structural support for ceiling spans up to 6m – providing 'walk on' access to BS 6399. Ceiling panels are fitted with internal steel channels to provide protection from sagging. Light services can be fixed at any point. Special provision can be made for excessive loads. A large compressive strength allows the panels to also be used on the floor (optional) – to provide a completely sealed 6-sided box.

## Security

The standard system provides a very high level of physical security with large steel faced panels mechanically jointed and steel doors with high security single point locks. Doors/panels resistant to thermic lance attack. For additional security we include layers of steel mesh and other elements inside the panels. ModuSec is tested and approved for protection to a number of commercial and UK Government forced attack and blast protection accreditations. No other company can offer our range of security levels, expertise and service in the provision of high security construction.

Widely specified throughout the UK and worldwide by Government, small and large organisations as the fast, cost effective solution to meet required standards.

For further details visit [www.modusec.com](http://www.modusec.com)

Phone Remtech on **020 8786 8787** or email [sales@remtech.com](mailto:sales@remtech.com)